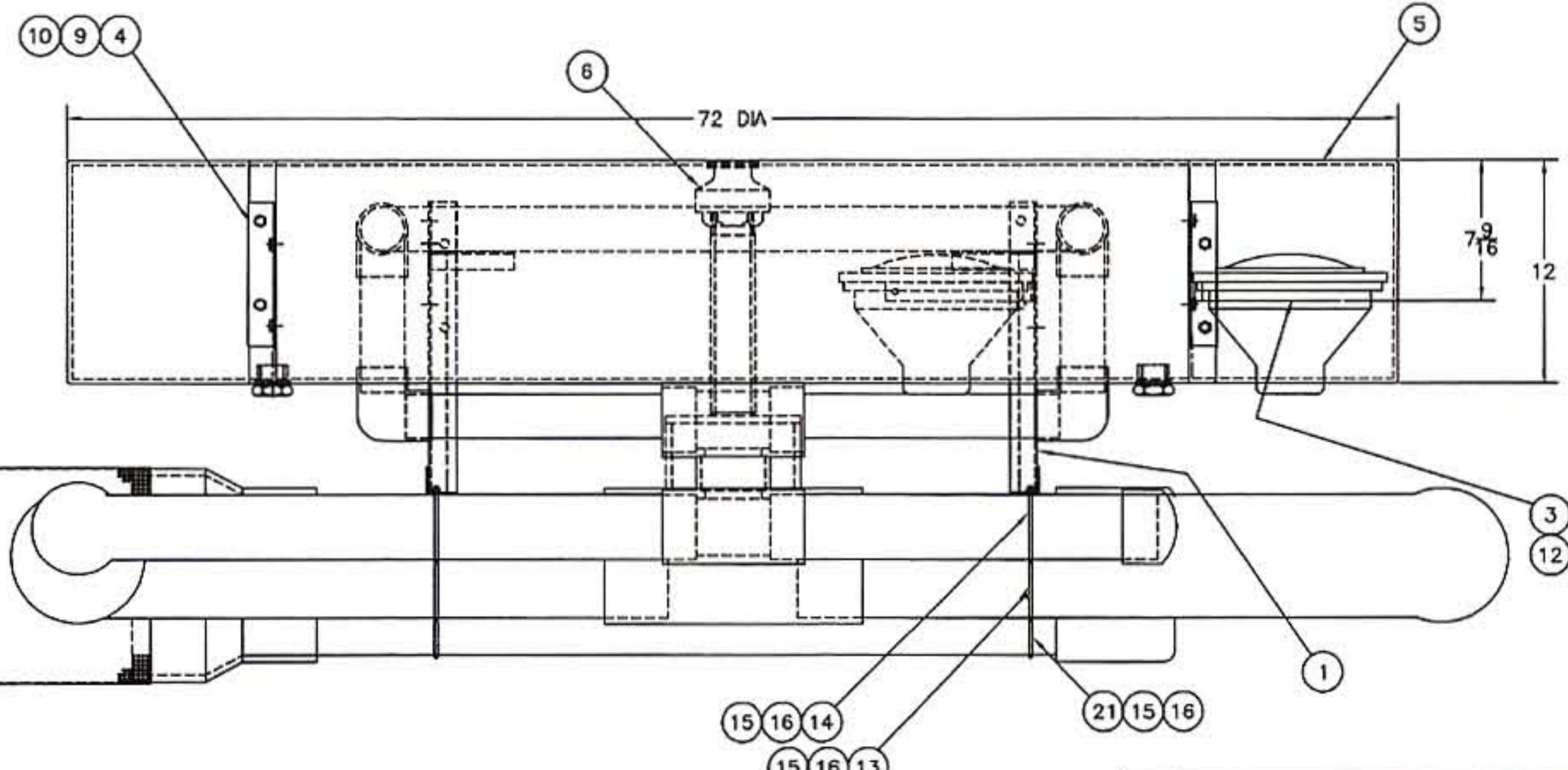
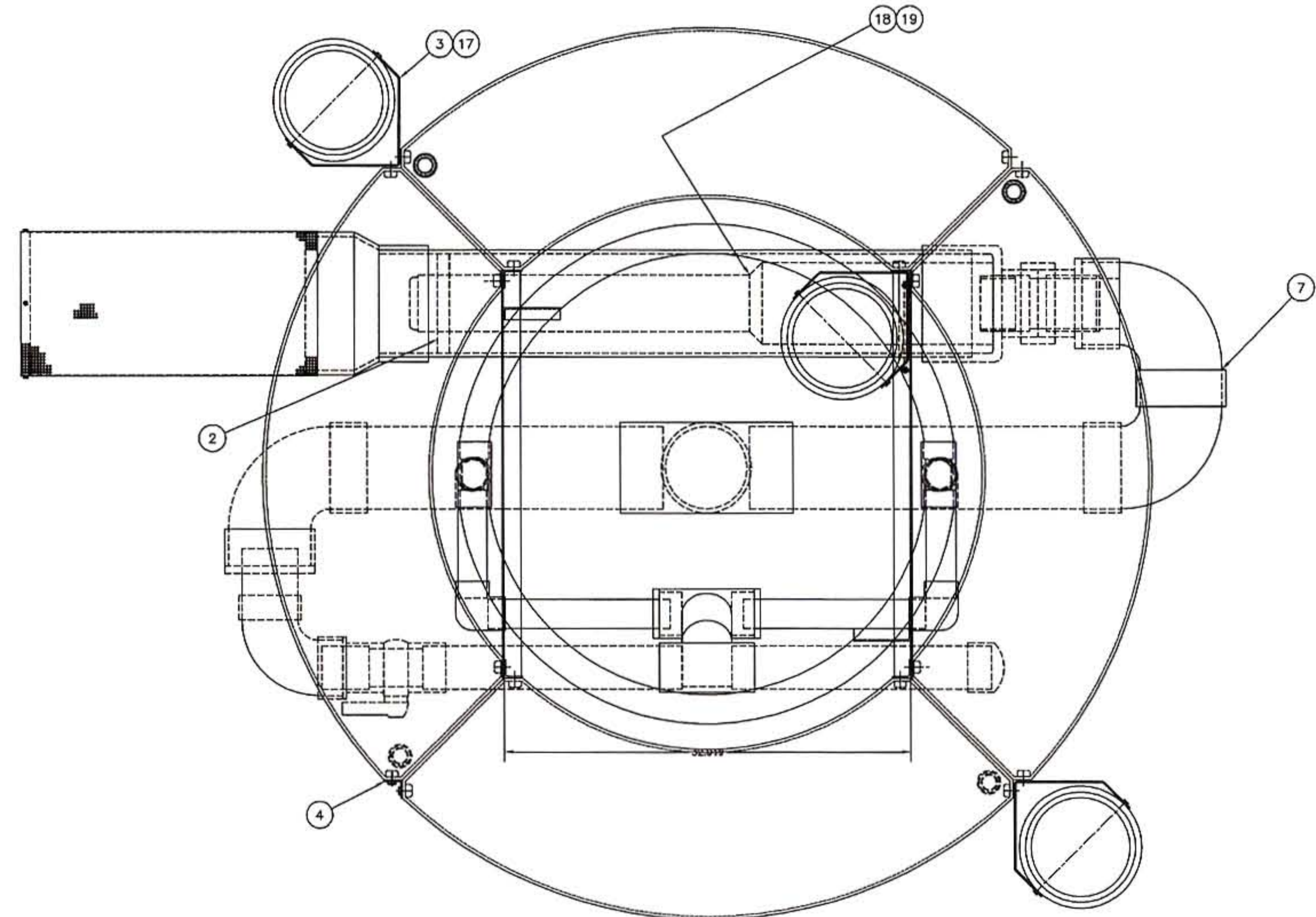


ITEM	QTY	PART NUMBER	GENERAL DESCRIPTION
1	2	100-3006	MOUNTING FRAME WELDMENT
2	1	100-4010	COLLAR, SUPPORT, 4" DIA MOTOR
3	3	100-4000	BRACKET, LIGHT MOUNTING
4	4	100-4002	ANGLE, CONNECTING
5	4	100-4005	FOAT, 6'-0" DIA
6	1		FOUNTAIN HEAD
7	1	100-2006	HOUSING, PUMP ASSEMBLY
8	1	100-2008	STRAINER ASSEMBLY
9	32		BOLT,HX HD CAP,S/S,3/8-16 X 3/4 LG
10	32		WASHER, LOCK, S/S, 3/8
11	6		BOLT,HX HD CAP,S/S,1/4-20 X 3/4 LG
12	6		WASHER, LOCK, S/S, 1/4
13	2		U-BOLT, S/S, #10-32THD FOR 6" PIPE
14	2		U-BOLT, S/S, #10-32THD FOR 3" PIPE
15	12		NUT,HEX,S/S, #10-32
16	12		WASHER, LOCK, S/S, #10-32
17	3		LIGHT, 500 WATT
18	1		MOTOR,4" SUB,7.5-HP,??? LB THRUST, FRANKLIN #????, 220V
19	1		PUMP,BERKELEY #6T2-150
20	8		SCR. SHEET METAL, S/S, #8 X 3/4 LG
21	2		U-BOLT, S/S, #10-32THD FOR 8" PIPE
22			
23			



-LOCATE AND WELD AT THE 7.9/16 DIMENSION AS SHOWN.-

<p>NOTICE</p> <p>THIS DOCUMENT CONTAINS CONFIDENTIAL AND PROPRIETARY MATERIAL WHICH IS THE PROPERTY OF LAKE FOUNTAINS AND ALL RIGHTS ARE RESERVED. THIS MATERIAL IS LOANED AND SUBJECT TO RETURN UPON DEMAND AND UPON THE EXPRESS CONDITION THAT IT WILL NOT BE USED DIRECTLY OR INDIRECTLY IN ANY WAY DETRIMENTAL TO THE INTERESTS OF LAKE FOUNTAINS.</p>		<p>Lake Fountains & Aeration Inc. 4155 St. Johns Parkway, Suite #1800, Sanford, FL 32771 Ph (407) 324-1515, Fax (407) 324-1344</p>
<p>DATE: 6/12/05</p> <p>SCALE: 3/16</p>	<p>DRAWN BY: JWG</p> <p>CHKD BY:</p>	
<p>TOLERANCE UNLESS OTHERWISE NOTED:</p> <p>DECIMALS .XX ± .010 FRACTIONS ± 1/32 ANGLES ± 1/2</p> <p>.XXX ± .005</p>		<p>LF SERIES FOUNTAIN ASSEMBLY- 7.5-HP (FOUNTAINS)</p>
<p>ORIGINAL DWG. NUMBER: XXXXXXX</p>		<p>CAD FILE - 7.5-HP</p> <p>SHEET NUMBER: 1 of 1</p> <p>DRAWING NUMBER: 607500-1000D</p>

SYM	REVISIONS	DATE	CK.